



ZGHPOS



2D Image wireless Barcode Scanner

Z002R 2D image scanner which reads 1D and 2D 4mil mobile phone codes and codes printed on paper labels. It is fast scan speed, it reads many different codes with wireless bluetooth & 2.4G for connection.

The Z002R is also a great choice if you scan predominantly goods Medicines, blood test tubes.



Features

- Ergonomic design, comfortable using
- Intelligent automatic connection when it's beyond range, not manual setting.
- Read all the mainstream 1D 2D codes in the market easily.
- Low power consumption, long working hours.

Characteristics

Physical Parameters

Dimensions 160mm x 97mm x 80mm

Weight 207g

Cable Length 2m

Electrical

Voltage +4.2V ± 10% VDC

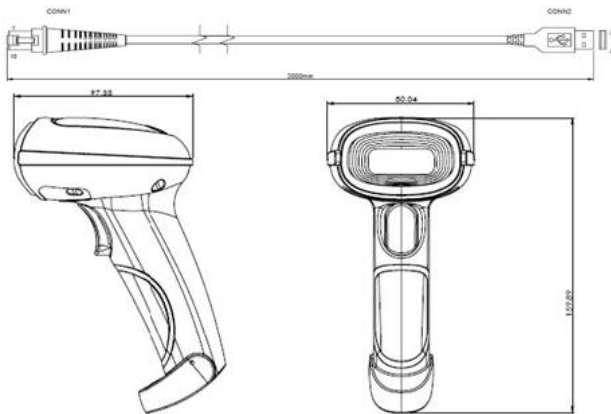
Current Consumption ± 5%

Stand-by Current	165mA
Starting Current	220mA
Work Current	260mA
Performance	
Image (Pixels):	640 pixels (H) x 480 pixels (V) 256 gray levels
Light Source:	(Aimer) Red color LED; (Illumination) White color LED
Wireless signal:	2.4 -2.5 GHz bandwidth range, Bluetooth V2.0/V3.0/V4.0
Data Transfer rate:	3Mbps Max
Max Decoding Speed:	25 cm/s
Roll / Pitch / Yaw:	65°(Yaw), 65°(Pitch), 360°(Roll)
Print Contrast:	20% minimum reflective difference
Interfaces Supported:	2.4G, Bluetooth
Battery Specification:	3.7/2500mAh
Endurance:	1 time / every 2 seconds, continuous work for about 8.5 hours
Charging Time:	3.5 hours
Communication Distance:	Dongle: 100m(open air),support memory. Bluetooth: 10m transmission distance
Storage Capacity:	1.3 million bits
Symbology Decode Capability	
1-D	Codabar, Code 11, Code 39, Code 93, Code 128/EAN128, EAN.UCC Composite, Interleaved 2 of 5, MSI Code, Planet, Plessey Code, Postnet, RSS, Standard 2 of 5, Telepen, UPC/EAN, etc.
2-D	PDF417, QR code, Matrix 2 of 5, MicroPDF417, Australian Post, Canada Post, MaxiCode, Codablock, Aztec, Dutch Post, TLC 39, DataMatrix, etc
User Environment	
Operating Temperature	-20°C to 60°C
Storage Temperature	-30°C to 70°C
Humidity	5% to 95% relative humidity, non-condensing
Shock Specifications	Designed to withstand 1.5m(5') drops
Ambient Light Immunity	0-100,000 Lux.

Decode Ranges

Code39(5mil)	9.0-12.0cm(3.5-4.7in)
Code39(13mil)	3.0-26.5cm(1.2-10.5in)
Code 39(20 mil)	3.0-40.0cm(1.2-15.5in)
UPC/EAN(13 mil)	3.0-26.5cm(2.0-8.1in)
Datamatrix(10mil)	5.2-23.0cm(2.1-9.0in)

Dimension



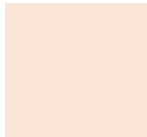
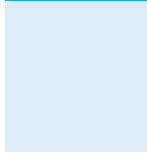
Performance may be impacted by bar code quality and environmental conditions

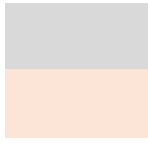
Warranty 2 Years



ZGf

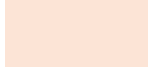
www.zgh





Post, Japan
:





HPOS

[hpos.com](https://www.hpos.com)